

Ikegami

4K

31-inch 4K/HD Multi-format LCD Color Monitor

HQLM-3120W



Flexible Use
in a wide range of applications

Provides Flexibility & a High Quality Image required for 4K / HD Image Production

The HQLM-3120W is equipped with 2 channels of 12G-SDI input as standard for efficient configuration with 4K equipment such as cameras and switchers. In addition, this monitor includes 3G-SDI, HD-SDI and HDMI inputs as standard. It has the flexibility to work with various interfaces in the image production field. By employing a 31.1-inch 4096x2160 pixel UHD LCD panel using LED backlight, it can reproduce high resolution 4K and 2K images.



Diverse Input Signal Formats

12G-SDI x2ch

Available with 12G-SDI, 3G-SDI (SQD/2SI), HD-SDI and HDMI (HDCP2.2) inputs as standard.

*Note: SQD=Square Division / 2SI=2 Sample Interleave

UHD LCD Panel

It employs a 31.1-inch 4096x2160 pixel UHD LCD panel with a contrast ratio of 1450:1 using LED backlight. The monitor has a wide viewing angle allowing critical content evaluation within a horizontal or vertical viewing angle of up to 178 degrees.

Faithful Color Reproduction

It provides a wide color gamut corresponding to the ITU-R BT.2020 standard.

Supports Audio Signals

Audio output is available through internal stereo speakers, stereo headphone jack and stereo line out by automatic identification of embedded audio signals multiplexed into the SDI or HDMI signal. An embedded audio level meter can be displayed on screen as standard.

*Note: The output can be selected from a pair channels or a 5.1 channel down mix.

Variety of Useful Functions

- Multi-viewer
There is an available multi-display for up to 4 screens when inputting HD-SDI or 3G-SDI signals.
- Time Code
Time code (VITC/LTC) multiplexed into the HD-SDI signal can be displayed on the screen.
- Remote Control Function
The monitor can be controlled with the use of a parallel, serial, or wireless remote controller.
- WFM / VSC
Waveform and Vector displays are available on screen.
- Test Patterns
A variety of test patterns are built-in.
- USB Memory
Various data such as menu, preset and captured image can be stored and copied in a USB memory.

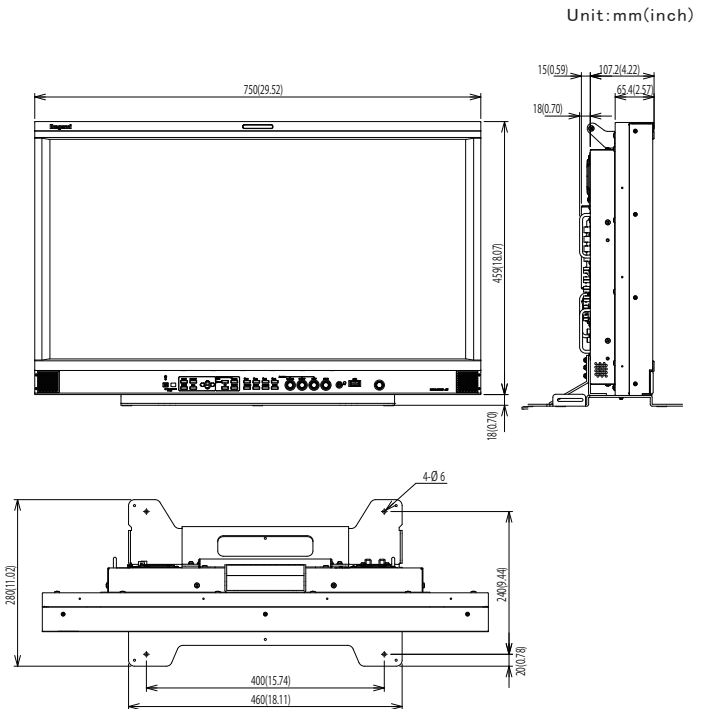
Specifications

Display Performance	
LCD Panel	a-SSi TFT Active Matrix, RGB Vertical Stripe
Number of Pixels	H4096xV2160 pixels
Pixel Pitch	W0.36375xH0.36375 mm
Viewing Angle	178° (up&down, left&right) (more than CR 10:1)
Number of Display Colors	1.07 billion colors (RGB each have 10-bit)
Contrast Ratio	1450:1 (typical)
Brightness (panel)	Max. 350cd/m ²
Display Size 16:9	W698xH368mm
Color Space	ITU-R BT.2020+ / BT.709 / EBU / SMPTE-C / DCI-P3
Color Temperature Setting	D65 / D93 / USER setting (Files 1 to 8)
Gamma Setting	2.2 / 2.4 / 2.0 to 2.6 variable
Power Requirement	AC100 to 120 / 200 to 240V±10%, 50/60Hz
Power Consumption	approx.145W
Ambient Temperature	0°C to +40°C (32°F to +104°F) (20 to 85% humidity non-condensing)
Storage Temperature	-20°C to +60°C (-4°F to +140°F) (5 to 85% humidity non-condensing)
Dimensions	W750 × H459 × D107.2mm (W29.52 × H18.07 × D4.22 inch)
Weight	14.5kg(31.96lbs) (excluding stand)
Input & Output Signals (standard)	
12G-SDI	2 BNC inputs / 2 BNC outputs (Active Loop Through)
3G-SDI	4 BNC inputs (2SI/SQD) / 4 BNC outputs (Active Loop Through)
HDMI	1 input (HDCP2.2)
Embedded Audio Specification	Automatic Identification of embedded audio signals. Sampling Frequency of 48KHz. Available to check audio through analog audio output, headphone output and internal stereo speakers by selecting one pair of channels ch1/2, ch3/4, ch5/6, ch7/8, ch9/10, ch11/12, ch13/14, ch15/16 or down mix.
Embedded Audio Level Meter	Onscreen overlay display (4 Modes available for selection) Display Channel : up to 16ch, 52 segment
Speaker Output	Stereo, 2 outputs (RCA connectors) Power: more than 1W+1W(1.5% distortion ratio)

*Color space is not completely displayed.

Design and specifications are subject to change without notice.

Dimensions



Ikegami Tsushinki Co.,Ltd.

■ URL : <http://www.ikegami.co.jp/en/>

- Head Office : 5-6-16 Ikegami, Ohta-ku, Tokyo 146-8567, JapanTEL.+81-(0)3-5700-1111 / FAX.+81-(0)3-5700-1137
- Overseas Sales Division : 5-6-16 Ikegami, Ohta-ku, Tokyo 146-8567, JapanTEL.+81-(0)3-5700-4117 / FAX.+81-(0)3-5748-2200
- Beijing Office : Room No.307 Tower B, Jia Tai International Mansion No.41 East Fourth Ring Road, Chaoyang District, Beijing China ...TEL.+86-(0)10-85710350 / FAX.+86-(0)10-85711804

Ikegami Electronics (U.S.A.), INC.

■ URL : <http://www.ikegami.com>

- Headquarters : 37 BROOK AVENUE, MAYWOOD, NJ 07607, U.S.A.TEL.+1-201-368-9171 / FAX.+1-201-569-1626

Ikegami Electronics (Europe) GmbH

■ URL : <http://www.ikegami.de>

- Headquarters : Ikegami Strasse 1, D-41460 Neuss, Germany..... TEL.+49-(0)2131-1230 / FAX.+49-(0)2131-102820
- U.K. Branch : 1 Windmill Business Village, Brooklands Close, Sunbury on Thames, TW16 7DY, England..... TEL.+44-(0)1932-769700 / FAX.+44-(0)1932-769710

Ikegami Electronics Asia Pacific Pte.Ltd. ■ URL : <http://sg.ikegami.co.jp>

- Headquarters : 1 Tampines Central 5, #03-03 CPF Tampines Building, Singapore 529508TEL.+65-6260-8820 / FAX.+65-6260-8896

U374B174-SELF

