

27-inch Medical Grade 4K UHD Colour Monitor

MLW-2750UHD

Perfectly customer-oriented design



The superior detailed picture quality of the Ikegami surgical monitor meets operating room requirements. With its 27-inch IPS 8 megapixel display, the Ikegami surgical monitor improves work efficiency both by enabling detailed observation and for multiple imaging applications.



Photo: MLW-2750UHD with MKC-750UHD 4K camera

PRESET FUNCTION WITH IKEGAMI MEDICAL GRADE CAMERAS

The Ikegami MLW-2750UHD has a user preset function allowing easy adjustment and storage of the display mode and image setup parameters. It is ideal for use with the MKC-750UHD 4K camera and for Ikegami MKC Full HD cameras.

4K HDMI 2.0, DISPLAYPORT 1.2 AND VARIOUS INTERFACE OPTIONS

The MLW-2750UHD is fully compatible with HDMI 2.0 and DisplayPort (Ver.1.2) for UHD resolution (3840 x 2160) at 50/60Hz refresh rate. HD resolution 3G-SDI and DVI-D are also supported.

OUTSTANDING PICTURE QUALITY

The MLW-2750UHD is fitted with an 800cd/m² high brightness IPS panel. The IPS display also provides accurate reproduction to achieve smooth image graduation well into the deep red section of the colour spectrum.

PICTURE ENHANCEMENT FUNCTION

Ikegami MLW-2750UHD also has a Picture Enhancement Function delivering wide dynamic range reproduction of the video. This function ensures that high quality display extends both to dark and bright areas of the image.

OFF



ON



PICTURE OPTIMISATION FUNCTION

Auto brightness/contrast stabilisation functions are included to ensure the most accurate and consistent shading possible for medical imaging. Gamma options and DICOM PART 14 can also be selected when required.

EASY TO USE

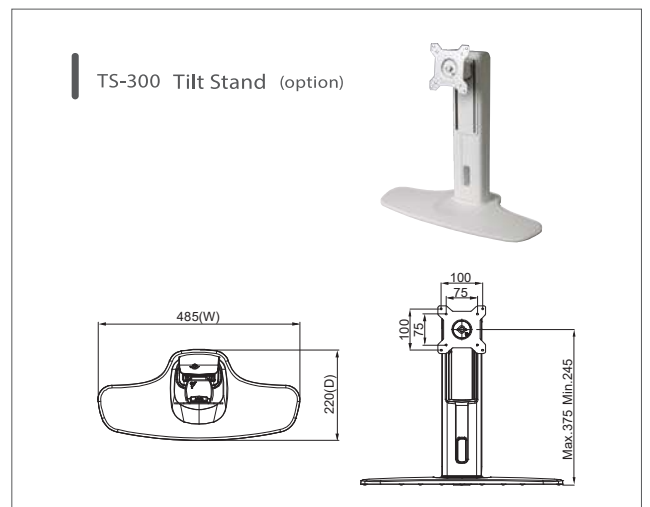
Weighing only 7.7kg (17lb), the MLW-2750UHD offers the portability required for use in applications such as medical transport carts. Its IP35 rated (front) and IP32 rated (back) panels, give protection against dust and water during operations and post-operation cleaning.

Specifications

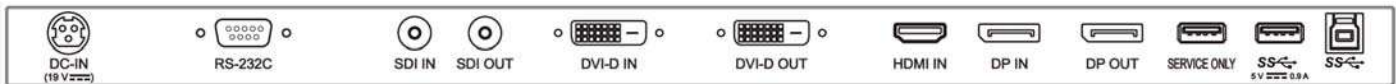
MLW-2750UHD

PANEL		
Size	27" class (27.0" diagonal)	
Panel Type	IPS	
Colour Gamut (CIE1931)	sRGB 115%	
Colour Depth (Number of Colors)	10bit colour (1.07B)	
Aspect Ratio	16:9	
Resolution	3840 x 2160	
Brightness (Typ.)	800 cd/m ²	
Contrast Ratio (Original)	1000:1	
Response Time_Typ. (on/off)	14ms (Typ)	
Viewing Angle (CR≥10)	178 / 178 degrees	
Surface Treatment	With Optical Bonding Glass (1.3T, Anti-Reflection, Anti-Finger)	
SIGNAL		
4K	INPUT	DisplayPort (1.2) x1 HDMI (2.0) x1
	OUTPUT	DisplayPort (1.2) x1
HD/PC	INPUT	3G SDI x1 DVI-D x1
	OUTPUT	3G SDI x1 DVI-D x1
USB	For service only	
Others	RS-232C	
Cable Cover (Rear)	Available	

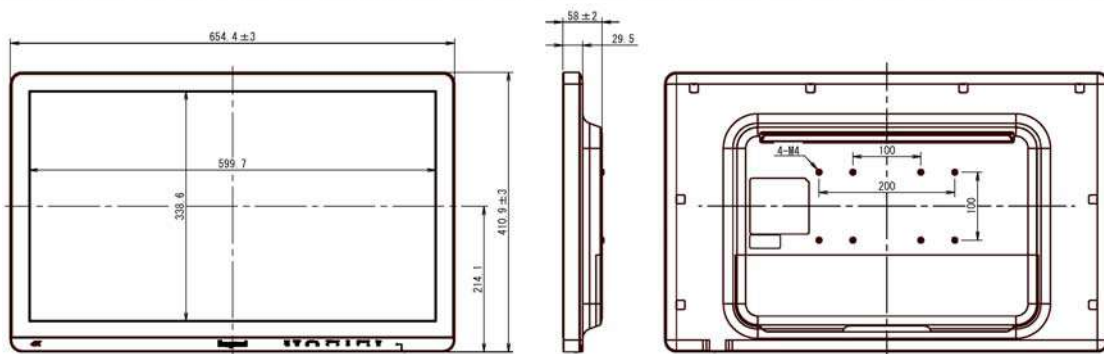
POWER	
Input	100-240V, 50/60Hz
Power Consumption	120W
MULTIPLE SCREEN DISPLAY	
PIP	Available
PBP	Available
Regulation	
Safety	FDA, MDD, Medical UL, cUL, CE, KC
Water, Dust Proof	(Front) IP35, (Rear) IP32
Others	
Weight	7.7kg (17 lb)
Dimensions	654.4 x 410.9 x 58 (mm)
Motor Fan	Fanless
Standard Accessory	Instruction manual, Power cable (2pcs), AC/DC adaptor, DisplayPort cable, HDMI cable



Connector Panel



Dimensions (Unit:mm)



Design and specifications are subject to change without notice.



Ikegami Tsushinki Co.,Ltd.

URL : www.ikegami.co.jp/en/

Head Office : 5-6-16 Ikegami, Ohta-ku, Tokyo 146-8567, Japan ----- TEL.+81-(0)3-5700-1111 / FAX.+81-(0)3-5700-1137

Overseas Sales Division : 5-6-16 Ikegami, Ohta-ku, Tokyo 146-8567, Japan ----- TEL.+81-(0)3-5700-4117 / FAX.+81-(0)3-5748-2200

Beijing Office : Room No.307 Tower B, Jia Tai International Mansion No.41East Fourth Ring Road, Chaoyang District, Beijing China ----- TEL.+86-(0)10-85710350 / FAX.+86-(0)10-85711804

Ikegami Electronics (U.S.A.), INC.

URL : www.ikegami.com

Headquarters : 300 Route 17 South, Mahwah, NJ 07430, U.S.A. ----- TEL.+1-201-368-9171 / FAX.+1-201-569-1626

Ikegami Electronics (Europe) GmbH

URL : www.ikegami.de

Headquarters : Ikegamistraße 1, D-41460 Neuss, Germany ----- TEL.+49-(0)2131-1230 / FAX.+49-(0)2131-102820

Ikegami Electronics Asia Pacific Pte.Ltd.

URL : sg.ikegami.co.jp

Headquarters : 1 Tampines Central 5, #03-03 CPF Tampines Building, Singapore 529508 ----- TEL.+65-6260-8820 / FAX.+65-6260-8896

U424A199-EU

