

## BROADCAST HD MONITORS LINEUP

### Options

#### Compatibility Chart

	Model	Description	HLM-2460WA	HLM-1860WR	HLM-960WR	Remarks
Rackmount Adaptor	RS-2450T	Rackmount Adaptor	●			Fixed Tilt Angle Type (Made to order item)
	RS-1860	Rackmount Adaptor		●		Fixed type
	TLB-186	Tilt Bracket for RS-1860		●		Fixed angle type
	DR-960	Dual Rackmount Adaptor			●	4RU
	DR-960T	Dual Rackmount Adaptor (Tilt type)			●	5RU (Made to order item) Tilt: Up 8 / Down 20 degree
	BP-960	Blank Panel for DR-960			●	(Made to order item)
Stand	BP-960T	Blank Panel for DR-960T			●	(Made to order item)
	STD-240T	Stand with Tilt Mechanism	●			Tilt: Up 45 / Down 8 degree (Made to order item)
	STD-1760	Monitor Stand		●		
	STD-1760T	Stand with Tilt Mechanism		●		Tilt: Up 15 / Down 15 degree
	STD-1722M	VESA Arm Stand		●		
	STD-960	Monitor Stand			●	
Tripod Mount Plate	STD-960T	Stand with Tilt Mechanism			●	Tilt: Up 10 / Down 10 degree
	AT-900	Tripod Mount Plate			●	1/4 & 3/8 inch hole plate
Handle	GR-1770	Handle	●	●		
	GR-904	Handle			●	
LCD Protection Cover	PP-1860	LCD Protection Cover		●		Anti-Reflection Coating
	PP-960	LCD Protection Cover			●	Anti-Reflection Coating
Battery Bracket	BB-1750A	Battery Bracket (Anton Bauer Type)		●		(Made to order item)
	BB-1750V	Battery Bracket (V-Mount Type)		●		(Made to order item)
	BB-904A	Battery Bracket (Anton Bauer Type)			●	with handle
	BB-904V	Battery Bracket (V-Mount Type)			●	with handle
Hood	MH-1860	Hood		●		(Made to order item)
	MH-904	Collapsible Hood			●	
Carrying Case	CC-2460A	Hard Carrying Case	●			(Made to order item)
	CC-1860	Hard Carrying Case		●		(Made to order item)
	CC-960	Hard Carrying Case			●	(Made to order item)
	IS-016	Soft Carrying Case			●	
Remote Controller	RCT-30A	Infrared Remote Controller	●	●	●	
	SRC-400	Serial Remote Controller	●	●	●	(Made to order item)

#### ■ Rackmount adaptor



#### ■ Stand



#### ■ Hood



#### ■ Carrying Case



#### ■ LCD Protection Cover



#### ■ Remote Controller



Design and specifications are subject to change without notice.

HDMI is a registered trademark of HDMI Licensing LLC.

#### Ikegami Tsushinki Co., Ltd.

■ URL: [www.ikegami.co.jp/en/](http://www.ikegami.co.jp/en/)

U556A2411-IB

■ Headquarters : 5-6-16 Ikegami, Ohta-ku, Tokyo 146-8567, Japan ..... TEL.+81-(0)3-5700-1111 / FAX.Head Office +81-(0)3-5700-1137  
 ■ Beijing Office : Tower A Room No.823-824 Jia Tai International Mansion No.41 East Fourth Ring Road,Chaoyang District,Beijing ,China ..... TEL / FAX.+86-10-8571-0350



#### Ikegami Electronics (U.S.A.), INC.

■ URL: [www.ikegami.com](http://www.ikegami.com)

■ Headquarters : 300 Route 17 South, Mahwah, NJ 07430 USA ..... TEL.+1-201-368-9171 / FAX.+1-201-569-1626

#### Ikegami Electronics (Europe) GmbH

■ URL: [www.ikegami.de](http://www.ikegami.de)

■ Headquarters : Ikegami Strasse 1, D-41460 Neuss, Germany ..... TEL.+49-(0)2131-1230 / FAX.+49-(0)2131-102820

#### Ikegami Electronics Asia Pacific Pte.Ltd.

■ URL: [sg.ikegami.co.jp](http://sg.ikegami.co.jp)

■ Headquarters : 1 Tampines Central 5, #06-04 CPF Tampines Building, Singapore 529508 ..... TEL.+65-6260-8820 / FAX.+65-6260-8896



HLM-2460WA



HLM-1860WR



HLM-960WR



## HLM-2460WA

24-inch Full HD Multi-format LCD Monitor

**HDMI**™ **HDR** (Option)

Building on the renowned features and performance of its predecessor, the HLM-2460WA reproduces more accurate dynamics of the source images thanks to a newly-developed LCD panel with an impressive 1800:1 contrast ratio. Seamless tally integration via Ethernet is made possible by the support of the TSL V5.0 protocol. The HLM-2460WA fits into various broadcast workflow applications, including editing suites where a computer-friendly WUXGA display resolution is preferred, as well as monitor walls, among others.

### Specifications

24-inch WUXGA	1920 x 1200 pixel	178°(H/V)	Contrast 1,800:1	400 nits
---------------	-------------------	-----------	------------------	----------

### Input/Output

3G/HD-SDI	HDMI (HDCP)	CVBS	Embedded Audio	Analogue Audio I/O
-----------	-------------	------	----------------	--------------------

### Features

UMD IMD	VITC/LTC	WFM	Vectorscope	CC	Split Screen
P-in-P	Zoom Display	HDR *Option	Auto Calibration *Option	TSL Tally V5.0	

### Size, Weight

W 562 x H 398 x D 86 mm (22.1 x 15.7 x 3.4 inches)	9RU	9.1 kg (20.1 lbs)
---	-----	----------------------



## HLM-1860WR

18.5-inch Full HD Multi-format LCD Monitor

**HDMI**™ **HDR** (Option)

The HLM-1860WR features a larger 18.5-inch LCD panel within the same 19-inch rack-width 7RU chassis as its predecessor. Seamless tally integration via Ethernet is made possible by the support of the TSL V5.0 protocol. The bright LCD panel boasting 500 nits reproduces clear images even in environments with predominant ambient light. The HLM-1860WR fits into outdoor as well as indoor monitoring applications.

### Specifications

18.5-inch Full HD	1920 x 1080 pixel	178°(H/V)	Contrast 1,000:1	500 nits
-------------------	-------------------	-----------	------------------	----------

### Input/Output

3G/HD-SDI	HDMI (HDCP)	CVBS	Embedded Audio	Analogue Audio I/O
-----------	-------------	------	----------------	--------------------

### Features

UMD IMD	VITC/LTC	WFM	Vectorscope	CC	Split Screen
P-in-P	Zoom Display	HDR *Option	Auto Calibration *Option	TSL Tally V5.0	

### Size, Weight

W 440 x H 301 x D 80 mm (17.3 x 12.2 x 3.2 inches)	7RU	5.9 kg (13.01 lbs)
---	-----	-----------------------

# HLM-960WR

9-inch Full HD Multi-format LCD Monitor



The HLM-960WR is a highly compact multi-format LCD monitor with a 9-inch Full HD 1920 x 1080 pixel 400 nits 8-bit resolution LCD panel. This model offers very narrow front-to-back dimensions, light weight and low power consumption. Multi-format SDI, 3G-SDI, HDMI and VBS inputs are provided as standard. Battery operation is available using an optional battery bracket.



## Specifications

9-inch Full HD	1920 x 1080 pixel	178°(H/V)	Contrast 700:1	400 nits
----------------	-------------------	-----------	----------------	----------

## Input/Output

3G/HD-SDI	HDMI (HDCP)	CVBS	Embedded Audio	Analogue Audio I/O
-----------	-------------	------	----------------	--------------------

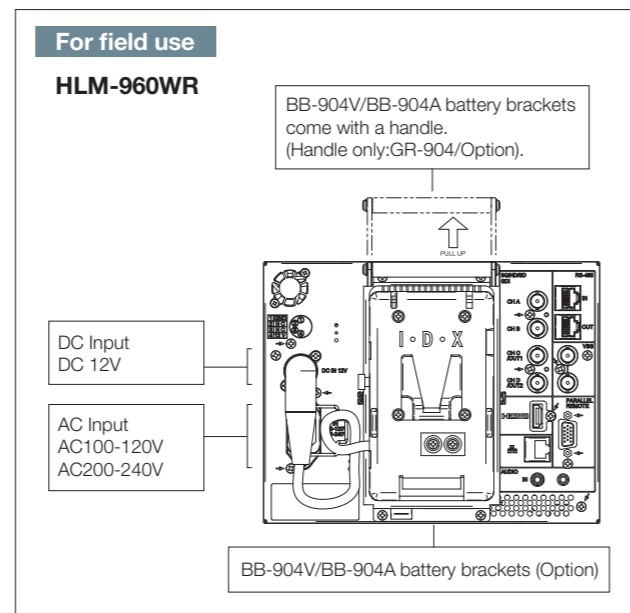
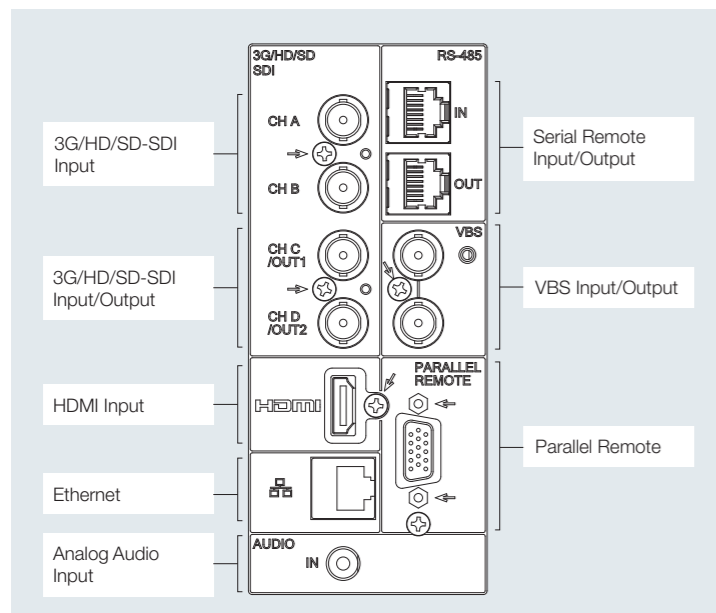
## Features

UMD IMD	VITC/LTC	WFM	Vectorscope	CC	Split Screen
P-in-P	Zoom Display	HDR *Option	Auto Calibration *Option	TSL Tally V5.0	

## Size, Weight

W 222.4 x H 173 x D 69.5 mm (8.8 x 6.8 x 2.8 inches)	4RU	1.7 kg (3.75 lbs)
---	-----	----------------------

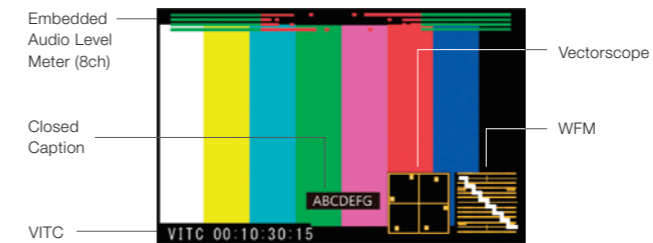
## HLM 60 series Connector Panel



## Common features for HLM 60 series

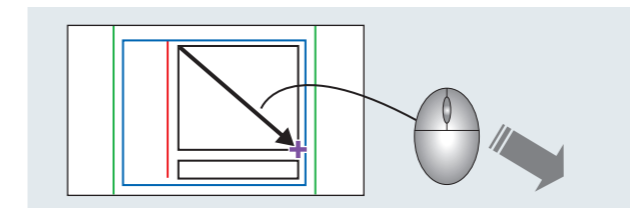
### Loaded with Information Display

The HLM 60 series monitors supports dynamic and static UMD in addition to the features shown below.



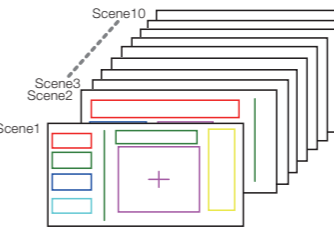
### User Defined Markers

A program production aid allowing up to 12 lines or boxes to be displayed. These can be drawn easily using a USB mouse.



### 10 different Scene files for User Markers

It is possible to create User Marker displays, up to 10 scenes. Each scene can be set in real time by users with the "FUNCTION" switch on the front panel.



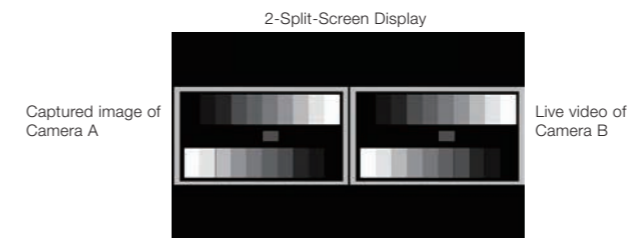
### Remote control with wireless mouse

A USB wireless mouse can be used to remotely control monitors installed at high locations.



### 2 Split-Screen Display

Display mode can be selected from side by side, picture in picture, horizontal wipe, and vertical wipe. This function is convenient for adjusting colors and position of multiple cameras. Two live signals also can be displayed



### Automatic Calibration (Optional)

Optional AWC software ensures consistent and accurate color reproduction over time. By acquiring real-time measurement data via a colorimeter, Windows-based software automatically aligns the R/G/B gain to exhibit the correct white balance.

Compatible Colorimeters	Konica Minolta CA-310/CA-410
	JETI Specbos 1211-2
	Klein Instruments K10-A

### Zoom Display Function

This function is to enable 2X/4X magnification without scaling of the image. It is useful to confirm errors in the signal, such as dead pixels of a CCD camera and to check in the detailed sections of the picture.



### MIX TEST SIGNAL Function

It is possible to mix the live picture with a reference TEST signal generated by the monitor. This provides a good reference for black and white levels which could otherwise be difficult to confirm with certainty due to the front panel adjustment of Contrast and Brightness. Regarding the peak level of the input signal, users can confirm an overload with the Alarm LED (OVER RANGE) on the Front panel.

\*HDTV only



### High Dynamic Range (Option)

The 60 series monitors support HDR (High Dynamic Range) EOTF tables of HLG1, HLG2, and S-Log3 as an option in addition to conventional gamma.



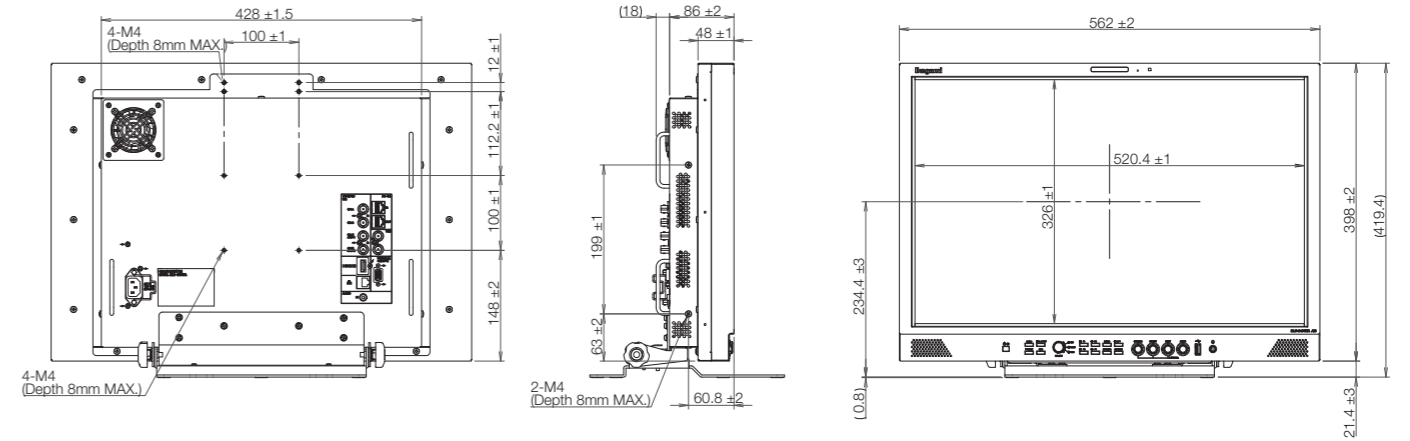
## Specifications



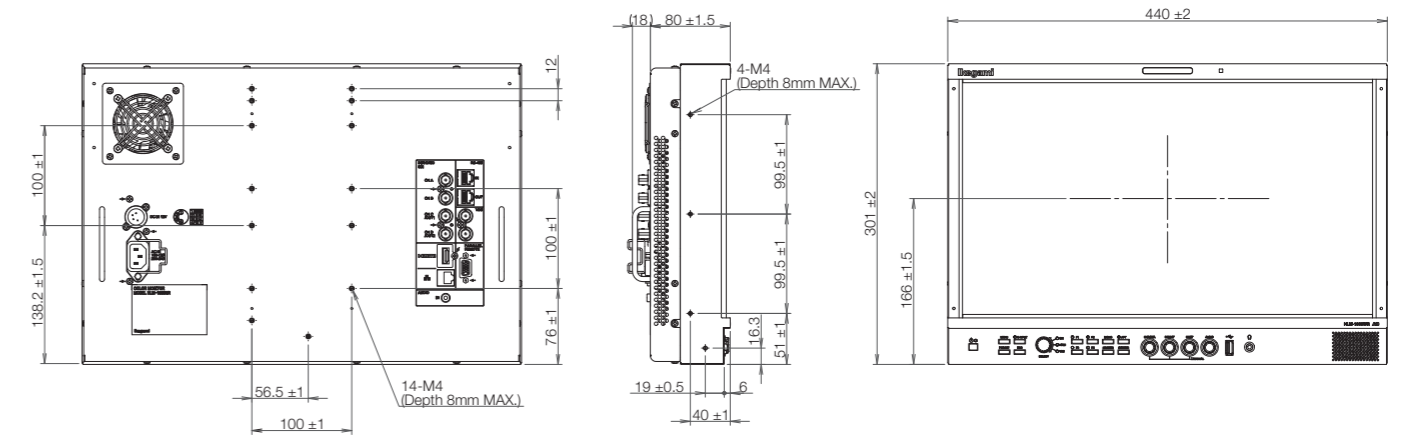
	HLM-2460WA	HLM-1860WR	HLM-960WR
<b>Display Panel</b>			
LCD Type	IPS equivalent, TFT-LCD (normally black)	IPS equivalent, TFT-LCD (normally black)	a-Si TFT Active Matrix
Resolution	1920 x 1200	1920 x 1080	1920 x 1080
Display Size	24-inch	18.5-inch	9-inch
Brightness	400 nits	500 nits	400 nits
Contrast Ratio (typ.)	1800:1	1000:1	700:1
Display Color	1.07 billion colors	16.77 million colors	16.77 million colors
Viewing Angle	178°	178°	178°
<b>Ratings</b>			
Power Requirement	AC: 100 to 120 / 200 to 240 V AC	AC: 100 to 120 / 200 to 240 V AC DC: 12 V DC (10.5 to 18 V DC)	AC: 100 to 120 / 200 to 240 V AC DC: 12 V DC (10.5 to 18 V DC)
Power Consumption	49 W	AC: 47 W DC: 42 W/3.5 A	AC: 28 W DC: 27 W/2.4 A
Dimensions	W 562 x H 398 x D 86 mm (W 22.1 x H 15.7 x D 3.4 inches)	W 440 x H 301 x D 80 mm (W 17.3 x H 11.9 x D 3.2 inches)	W 222.4 x H 173 x D 69.5 mm (W 8.8 x H 6.8 x D 2.8 inches)
Rack-mountable Space	9RU (Excluding Desktop Stand)	7RU	4RU
Weight	Approx. 9.1 kg (20.06 lbs) (Excluding Desktop Stand)	Approx. 5.9 kg (13.01 lbs)	Approx. 1.7 kg (3.75 lbs)
<b>Video</b>			
Input /	3G/HD/SD-SDI	2-input/2-output (Active Through) or 4-input	
Output	VBS	1-input/1-output (Loop Through)	
	HDMI	1-input (HDCP)	
<b>Audio</b>			
Input	Embedded Audio	SDI & HDMI	
	Analog Audio	Stereo Mini Jack	
Output	Embedded Audio	SDI	
	Speaker	1 W + 1 W	1 W (Mono)
	Headphones	Stereo Mini Jack	
<b>Control</b>			
Ethernet		Remote Control & Tally/UMD (TSL v5.0)	
RS-485		Tally/UMD (TSL v3.1)	
GPIO		Parallel Remote Connector	

## Dimensions (unit: mm)

### HLM-2460WA



### HLM-1860WR



### HLM-960WR

