

BROADCAST HD MONITORS LINEUP



HLM-2460WA



HLM-1860WR



HLM-960WR



HLM-2460WA

24-inch Full HD Multi-format LCD Monitor

HDMI™ **HDR** (Option)

Building on the renowned features and performance of its predecessor, the HLM-2460WA reproduces more accurate dynamics of the source images thanks to a newly-developed LCD panel with an impressive 1800:1 contrast ratio. Seamless tally integration via Ethernet is made possible by the support of the TSL V5.0 protocol. The HLM-2460WA fits into various broadcast workflow applications, including editing suites where a computer-friendly WUXGA display resolution is preferred, as well as monitor walls, among others.

Specifications

| | | | | |
|---------------|-------------------|-----------|------------------|----------|
| 24-inch WUXGA | 1920 x 1200 pixel | 178°(H/V) | Contrast 1,800:1 | 400 nits |
|---------------|-------------------|-----------|------------------|----------|

Input/Output

| | | | | |
|-----------|-------------|------|----------------|--------------------|
| 3G/HD-SDI | HDMI (HDCP) | CVBS | Embedded Audio | Analogue Audio I/O |
|-----------|-------------|------|----------------|--------------------|

Features

| | | | | | |
|---------|--------------|----------------|-----------------------------|----------------|--------------|
| UMD IMD | VITC/LTC | WFM | Vectorscope | CC | Split Screen |
| P-in-P | Zoom Display | HDR *Option | Auto Calibration *Option | TSL Tally V5.0 | |

Size, Weight

| | | |
|---|-----|----------------------|
| W 562 x H 398 x D 86 mm (22.1 x 15.7 x 3.4 inches) | 9RU | 9.1 kg (20.1 lbs) |
|---|-----|----------------------|



HLM-1860WR

18.5-inch Full HD Multi-format LCD Monitor

HDMI™ **HDR** (Option)

The HLM-1860WR features a larger 18.5-inch LCD panel within the same 19-inch rack-width 7RU chassis as its predecessor. Seamless tally integration via Ethernet is made possible by the support of the TSL V5.0 protocol. The bright LCD panel boasting 500 nits reproduces clear images even in environments with predominant ambient light. The HLM-1860WR fits into outdoor as well as indoor monitoring applications.

Specifications

| | | | | |
|-------------------|-------------------|-----------|------------------|----------|
| 18.5-inch Full HD | 1920 x 1080 pixel | 178°(H/V) | Contrast 1,000:1 | 500 nits |
|-------------------|-------------------|-----------|------------------|----------|

Input/Output

| | | | | |
|-----------|-------------|------|----------------|--------------------|
| 3G/HD-SDI | HDMI (HDCP) | CVBS | Embedded Audio | Analogue Audio I/O |
|-----------|-------------|------|----------------|--------------------|

Features

| | | | | | |
|---------|--------------|----------------|-----------------------------|----------------|--------------|
| UMD IMD | VITC/LTC | WFM | Vectorscope | CC | Split Screen |
| P-in-P | Zoom Display | HDR *Option | Auto Calibration *Option | TSL Tally V5.0 | |

Size, Weight

| | | |
|---|-----|-----------------------|
| W 440 x H 301 x D 80 mm (17.3 x 12.2 x 3.2 inches) | 7RU | 5.9 kg (13.01 lbs) |
|---|-----|-----------------------|

HLM-960WR

9-inch Full HD Multi-format LCD Monitor

HDMI™ **HDR** (Option)

The HLM-960WR is a highly compact multi-format LCD monitor with a 9-inch Full HD 1920 x 1080 pixel 400 nits 8-bit resolution LCD panel. This model offers very narrow front-to-back dimensions, light weight and low power consumption. Multi-format SDI, 3G-SDI, HDMI and VBS inputs are provided as standard. Battery operation is available using an optional battery bracket.



Specifications

| | | | | |
|----------------|-------------------|-----------|----------------|----------|
| 9-inch Full HD | 1920 x 1080 pixel | 178°(H/V) | Contrast 700:1 | 400 nits |
|----------------|-------------------|-----------|----------------|----------|

Input/Output

| | | | | |
|-----------|-------------|------|----------------|--------------------|
| 3G/HD-SDI | HDMI (HDCP) | CVBS | Embedded Audio | Analogue Audio I/O |
|-----------|-------------|------|----------------|--------------------|

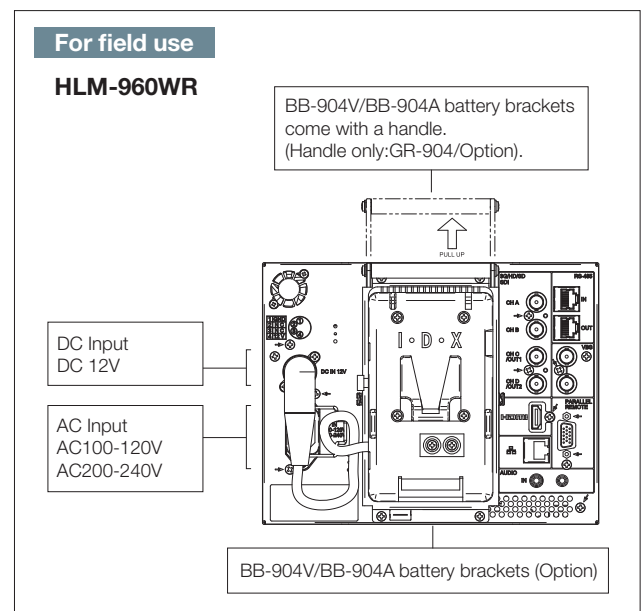
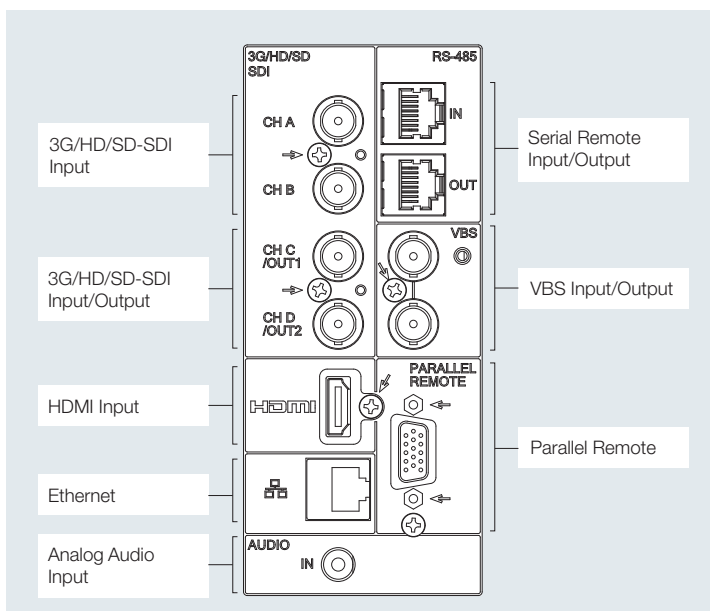
Features

| | | | | | |
|---------|--------------|----------------|-----------------------------|----------------|--------------|
| UMD IMD | VITC/LTC | WFM | Vectorscope | CC | Split Screen |
| P-in-P | Zoom Display | HDR *Option | Auto Calibration *Option | TSL Tally V5.0 | |

Size, Weight

| | | |
|---|-----|----------------------|
| W 222.4 x H 173 x D 69.5 mm (8.8 x 6.8 x 2.8 inches) | 4RU | 1.7 kg (3.75 lbs) |
|---|-----|----------------------|

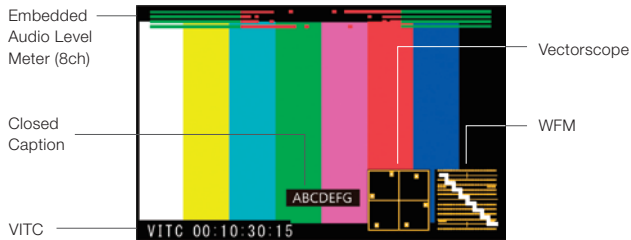
HLM 60 series Connector Panel



Common features for HLM 60 series

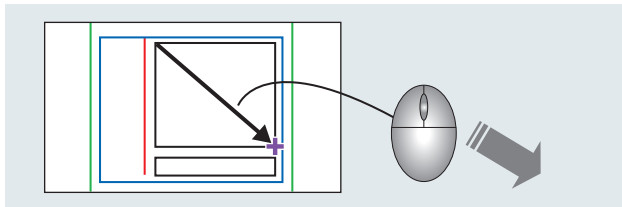
Loaded with Information Display

The HLM 60 series monitors supports dynamic and static UMD in addition to the features shown below.



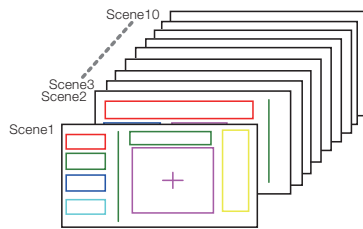
User Defined Markers

A program production aid allowing up to 12 lines or boxes to be displayed. These can be drawn easily using a USB mouse.



10 different Scene files for User Markers

It is possible to create User Marker displays, up to 10 scenes. Each scene can be set in real time by users with the "FUNCTION" switch on the front panel.



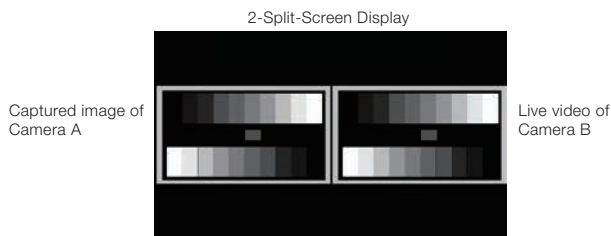
Remote control with wireless mouse

A USB wireless mouse can be used to remotely control monitors installed at high locations.



2 Split-Screen Display

Display mode can be selected from side by side, picture in picture, horizontal wipe, and vertical wipe. This function is convenient for adjusting colors and position of multiple cameras. Two live signals also can be displayed



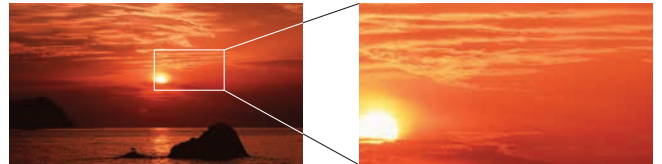
Automatic Calibration (Optional)

Optional AWC software ensures consistent and accurate color reproduction over time. By acquiring real-time measurement data via a colorimeter, Windows-based software automatically aligns the R/G/B gain to exhibit the correct white balance.

Compatible Colorimeters — Konica Minolta CA-310/CA-410
 JETI Specbos 1211-2
 Klein Instruments K10-A

Zoom Display Function

This function is to enable 2X/4X magnification without scaling of the image. It is useful to confirm errors in the signal, such as dead pixels of a CCD camera and to check in the detailed sections of the picture.



MIX TEST SIGNAL Function

It is possible to mix the live picture with a reference TEST signal generated by the monitor. This provides a good reference for black and white levels which could otherwise be difficult to confirm with certainty due to the front panel adjustment of Contrast and Brightness. Regarding the peak level of the input signal, users can confirm an overload with the Alarm LED (OVER RANGE) on the Front panel.

*HDTV only



High Dynamic Range (Option)

The 60 series monitors support HDR (High Dynamic Range) EOTF tables of HLG1, HLG2, and S-Log3 as an option in addition to conventional gamma.



Specifications



HLM-2460WA

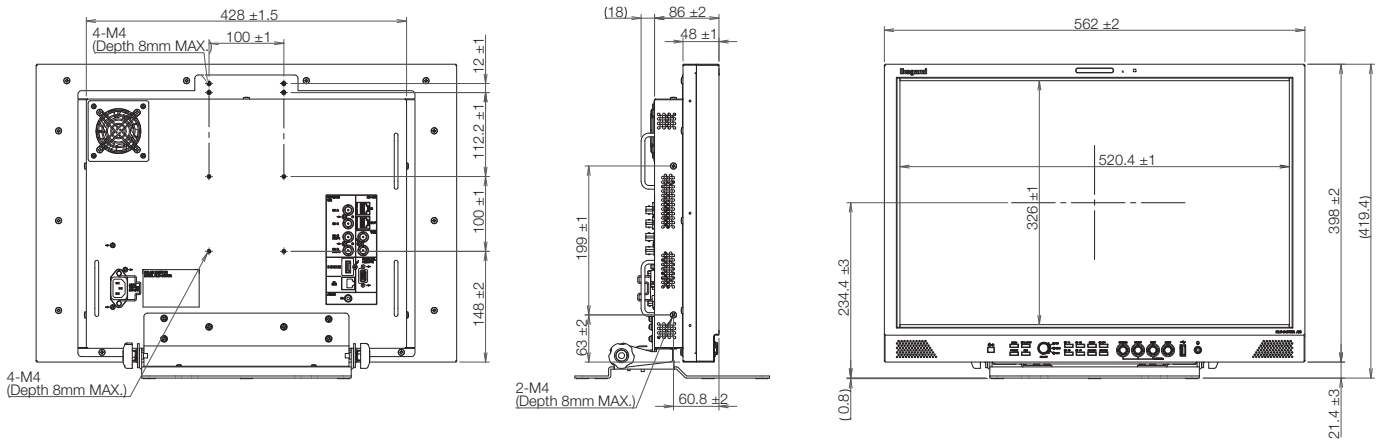
HLM-1860WR

HLM-960WR

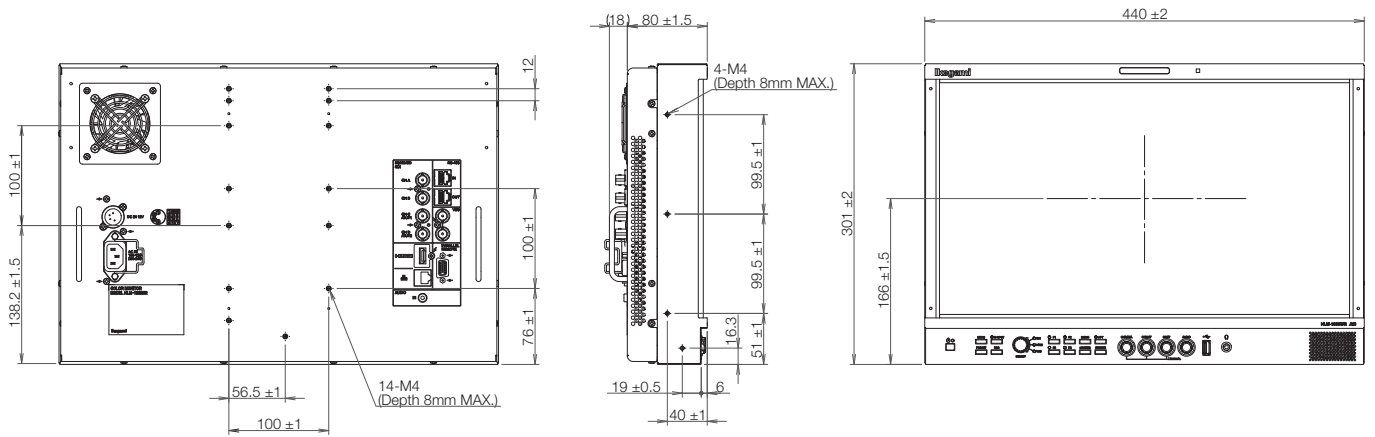
| Display Panel | | | |
|-----------------------|---|---|---|
| LCD Type | IPS equivalent, TFT-LCD (normally black) | IPS equivalent, TFT-LCD (normally black) | a-Si TFT Active Matrix |
| Resolution | 1920 x 1200 | 1920 x 1080 | 1920 x 1080 |
| Display Size | 24-inch | 18.5-inch | 9-inch |
| Brightness | 400 nits | 500 nits | 400 nits |
| Contrast Ratio (typ.) | 1800:1 | 1000:1 | 700:1 |
| Display Color | 1.07 billion colors | 16.77 million colors | 16.77 million colors |
| Viewing Angle | 178° | 178° | 178° |
| Ratings | | | |
| Power Requirement | AC: 100 to 120 / 200 to 240 V AC | AC: 100 to 120 / 200 to 240 V AC DC: 12 V DC (10.5 to 18 V DC) | AC: 100 to 120 / 200 to 240 V AC DC: 12 V DC (10.5 to 18 V DC) |
| Power Consumption | 49 W | AC: 47 W DC: 42 W/3.5 A | AC: 28 W DC: 27 W/2.4 A |
| Dimensions | W 562 x H 398 x D 86 mm (W 22.1 x H 15.7 x D 3.4 inches) | W 440 x H 301 x D 80 mm (W 17.3 x H 11.9 x D 3.2 inches) | W 222.4 x H 173 x D 69.5 mm (W 8.8 x H 6.8 x D 2.8 inches) |
| Rack-mountable Space | 9RU (Excluding Desktop Stand) | 7RU | 4RU |
| Weight | Approx. 9.1 kg (20.06 lbs) (Excluding Desktop Stand) | Approx. 5.9 kg (13.01 lbs) | Approx. 1.7 kg (3.75 lbs) |
| Video | | | |
| Input / | 3G/HD/SD-SDI | 2-input/2-output (Active Through) or 4-input | |
| Output | VBS | 1-input/1-output (Loop Through) | |
| | HDMI | 1-input (HDCP) | |
| Audio | | | |
| Input | Embedded Audio | SDI & HDMI | |
| | Analog Audio | Stereo Mini Jack | |
| Output | Embedded Audio | SDI | |
| | Speaker | 1 W + 1 W | 1 W (Mono) |
| | Headphones | Stereo Mini Jack | |
| | | 1 W (Mono) | 1 W (Mono) |
| Control | | | |
| Ethernet | Remote Control & Tally/UMD (TSL v5.0) | | |
| RS-485 | Tally/UMD (TSL v3.1) | | |
| GPIO | Parallel Remote Connector | | |

Dimensions (unit: mm)

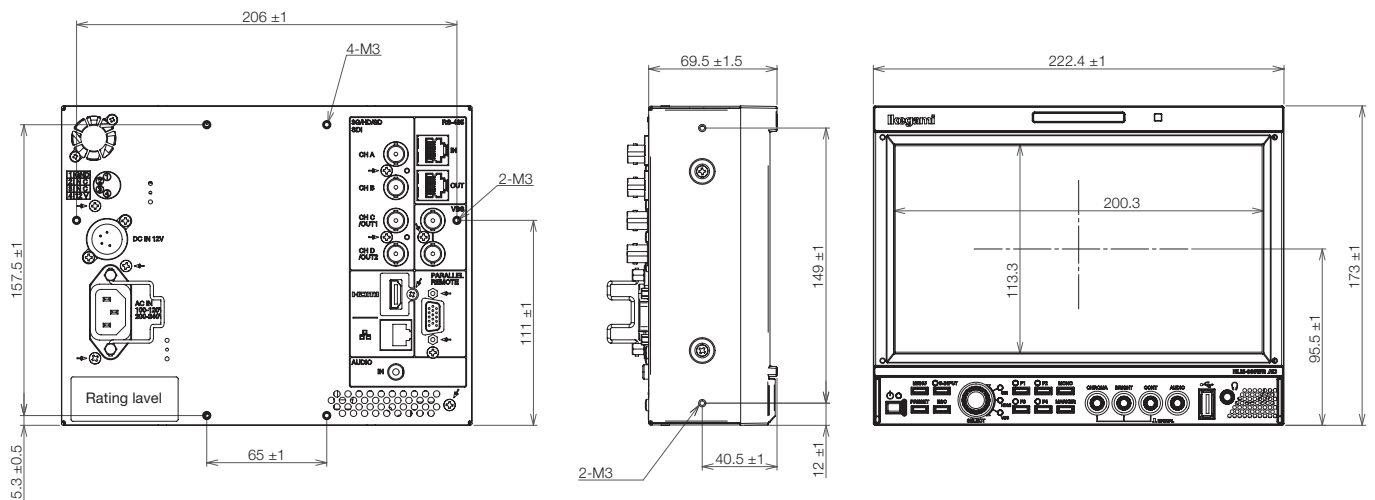
HLM-2460WA



HLM-1860WR



HLM-960WR



Options

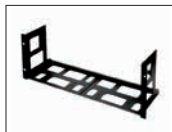
Compatibility Chart

| | Model | Description | HLM-2460WA | HLM-1860WR | HLM-960WR | Remarks |
|----------------------|-----------|------------------------------------|------------|------------|-----------|--|
| Rackmount Adaptor | RS-2450T | Rackmount Adaptor | ● | | | Fixed Tilt Angle Type (Made to order item) |
| | RS-1860 | Rackmount Adaptor | | ● | | Fixed type |
| | TLB-186 | Tilt Bracket for RS-1860 | | ● | | Fixed angle type |
| | DR-960 | Dual Rackmount Adaptor | | | ● | 4RU |
| | DR-960T | Dual Rackmount Adaptor (Tilt type) | | | ● | 5RU (Made to order item) Tilt: Up 8 / Down 20 degree |
| | BP-960 | Blank Panel for DR-960 | | | ● | |
| Stand | BP-960T | Blank Panel for DR-960T | | | ● | (Made to order item) |
| | STD-240T | Stand with Tilt Mechanism | ● | | | Tilt: Up 45 / Down 8 degree (Made to order item) |
| | STD-1760 | Monitor Stand | | ● | | |
| | STD-1760T | Stand with Tilt Mechanism | | ● | | Tilt: Up 15 / Down 15 degree |
| | STD-1722M | VESA Arm Stand | | ● | | |
| | STD-960 | Monitor Stand | | | ● | |
| Tripod Mount Plate | STD-960T | Stand with Tilt Mechanism | | | ● | Tilt: Up 10 / Down 10 degree |
| | AT-900 | Tripod Mount Plate | | | ● | 1/4 & 3/8 inch hole plate |
| Handle | GR-1770 | Handle | ● | ● | | |
| | GR-904 | Handle | | | ● | |
| LCD Protection Cover | PP-1860 | LCD Protection Cover | | ● | | Anti-Reflection Coating |
| | PP-960 | LCD Protection Cover | | | ● | Anti-Reflection Coating |
| Battery Bracket | BB-1750A | Battery Bracket (Anton Bauer Type) | | ● | | (Made to order item) |
| | BB-1750V | Battery Bracket (V-Mount Type) | | ● | | (Made to order item) |
| | BB-904A | Battery Bracket (Anton Bauer Type) | | | ● | with handle |
| | BB-904V | Battery Bracket (V-Mount Type) | | | ● | with handle |
| Hood | MH-1860 | Hood | | ● | | (Made to order item) |
| | MH-904 | Collapsible Hood | | | ● | |
| Carrying Case | CC-2460A | Hard Carrying Case | ● | | | (Made to order item) |
| | CC-1860 | Hard Carrying Case | | ● | | (Made to order item) |
| | CC-960 | Hard Carrying Case | | | ● | (Made to order item) |
| | IS-016 | Soft Carrying Case | | | ● | |
| Remote Controller | RCT-30A | Infrared Remote Controller | ● | ● | ● | |
| | SRC-400 | Serial Remote Controller | ● | ● | ● | (Made to order item) |

■ Rackmount adaptor



RS-1860
Rackmount Adaptor



DR-960
Dual Rackmount Adaptor



BP-960
Blank Panel for DR-960



BB-1750A
Battery Bracket
(Anton Bauer Type)



BB-1750V
Battery Bracket
(V-mount type)



BB-904A
Battery Bracket
(Anton Bauer Type)



BB-904V
Battery Bracket
(V-mount type)

■ Stand



STD-1760
Stand



STD-1760T
Tilt Stand



STD-1722M
VESA Arm Stand



STD-960
Stand



STD-960T
Tilt Stand

■ Handle



GR-1770
Handle



GR-904
Handle

■ Hood



MH-1860
Hood



MH-904
Collapsible Hood

■ Carrying Case



CC-2460A
Hard carrying Case

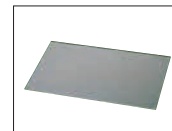


CC-1860
Hard carrying Case

■ LCD Protection Cover



PP-1860
LCD Protection Cover



PP-960
LCD Protection Cover

■ Remote Controller



RCT-30A
Infrared Remote Control

Design and specifications are subject to change without notice.

HDMI is a registered trademark of HDMI Licensing LLC.



Ikegami Tsushinki Co., Ltd.

■ URL: www.ikegami.co.jp/en/

U556A2411-1B

■ Headquarters : 5-6-16 Ikegami, Ohta-ku, Tokyo 146-8567, Japan TEL. +81-(0)3-5700-1111 / FAX. Head Office +81-(0)3-5700-1137
 ■ Beijing Office : Tower A Room No.823-824 Jia Tai International Mansion No.41
 East Fourth Ring Road, Chaoyang District, Beijing, China TEL / FAX. +86-10-8571-0350



Ikegami Electronics (U.S.A.), INC.

■ URL: www.ikegami.com

■ Headquarters : 300 Route 17 South, Mahwah, NJ 07430 USA TEL. +1-201-368-9171 / FAX. +1-201-569-1626

Ikegami Electronics (Europe) GmbH

■ URL: www.ikegami.de

■ Headquarters : Ikegami Strasse 1, D-41460 Neuss, Germany TEL. +49-(0)2131-1230 / FAX. +49-(0)2131-102820

Ikegami Electronics Asia Pacific Pte.Ltd.

■ URL: sg.ikegami.co.jp

■ Headquarters : 1 Tampines Central 5, #06-04 CPF Tampines Building, Singapore 529508 TEL. +65-6260-8820 / FAX. +65-6260-8896